

## STANDARD CONSTRUCTION

**FRAME:** Head and Sill: .125" thick (nominal) formed aluminum alloy 6063-T52/T6.  
Jams: .081" thick (nominal) extruded aluminum alloy 6063-T52/T6.  
 Frame is welded construction.

**BLADE:** .24" thick (nominal) at edges, reducing to .063" thickness (nominal) at midpoint of profile. Blades approximately 1.25" on centers.

**MULLION:** Exposed, vertical with 1.75" x .08" 6063-T52/T6 extruded aluminum cover (multiple panels only). Exposed, horizontal.

**FINISH:** Mill

## OPTIONS

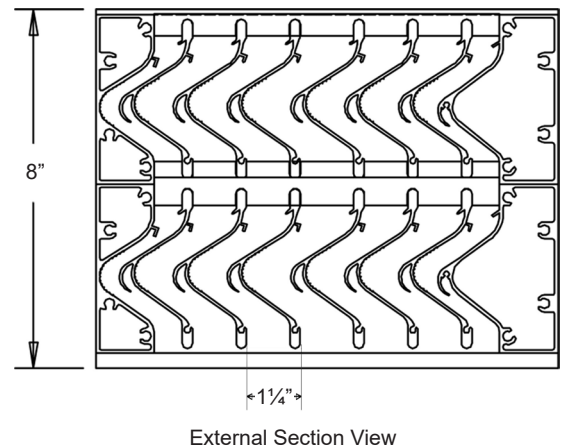
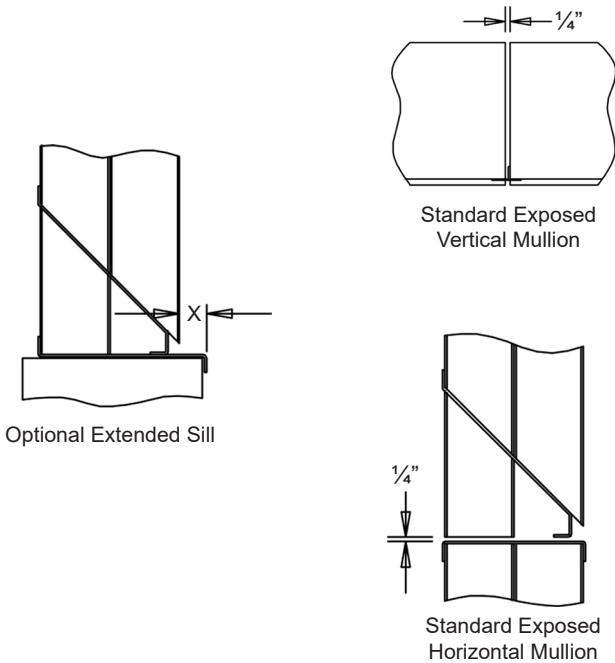
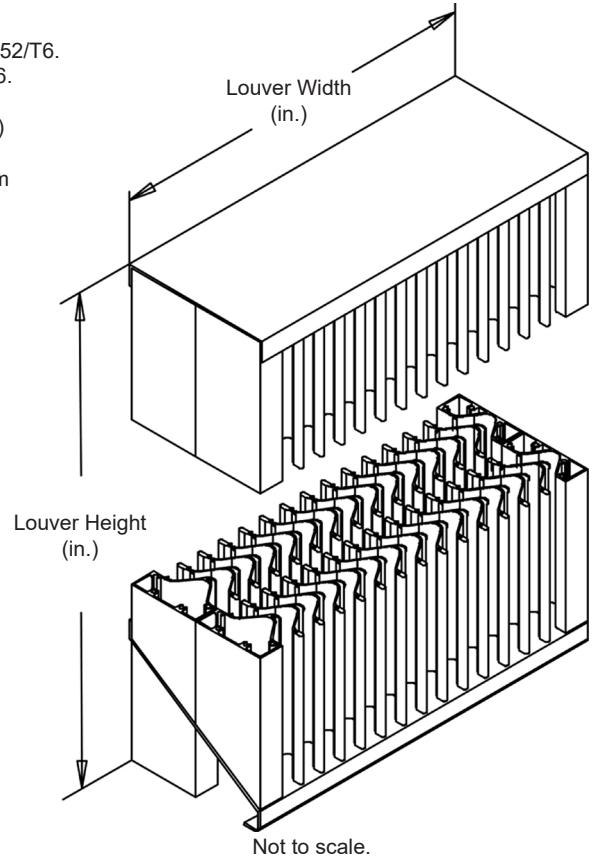
Finish - Baked Enamel, Kynar, Anodize  
 Screens - 1/2" flattened aluminum (.051" thick),  
 -or- 1/2" sq. mesh, intermediate double-criped aluminum wire, .063" dia.,  
 -or- 18/16 mesh, .011" dia. aluminum wire, insect screen,  
 and a variety of other bird and insect screens.  
 Extended Sill - .063" formed aluminum

## NOTES

- Nominal deductions will be made to the opening size given.
- Approximate shipping weight is 13 3/4 lbs./sq.ft.

## LOUVER SIZES

Min Panel	Max Single Panel
12"W x 18"H	48"W x 96"H



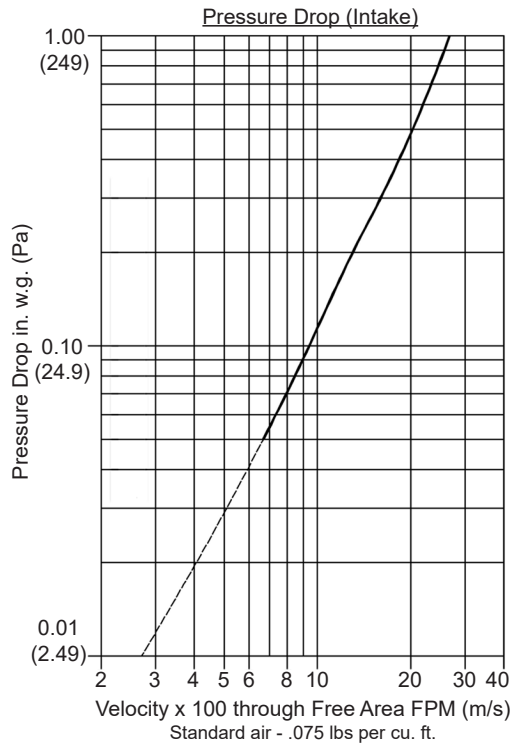
Item #	Qty	Width	Height	Width	Height	Mullion	Type	Location	Union Made
		Opening Size		Louver Size			Screens		
Arch. / Eng. :						EDR:		ECN:	Job:
Contractor:									
Project:						Date:		DWN:	DWG:

In the interest of product development, Louvers & Dampers reserves the right to make changes without notice.

## PERFORMANCE DATA

Pressure Drop: .65 in. w.g. (161.9 Pa) at 1250 fpm (6.4 m/s) and 9667 scfm (4.6 scm/s)

Free Area: 4.41 sq.ft. (0.410 m<sup>2</sup>) = 27.56% for 48"W x 48"H (1.2m x 1.2m) sample tested in accordance with AMCA Standard 500-L.



Ratings do not include effects of a screen.  
 Test based on 48" x 48" sample size  
 per AMCA Standard 500-L, Figure 5.5.

Pressure Drop & Free Area Velocity

<b>Pressure Drop</b>	.10 in. w.g. (24.91 Pa)	.20 in. w.g. (49.82 Pa)	.30 in. w.g. (74.73 Pa)
<b>Free Area Velocity</b>	940 FPM (4.78 m/s)	1300 FPM (6.6 m/s)	1600 FPM (8.13 m/s)

Free Area sq.ft. (sq. meters)

		Width in. (mm)								
		12" (305)	24" (610)	36" (914)	48" (1219)	60" (1524)	72" (1829)	84" (2134)	96" (2438)	
Height in. (mm)	18" (457)	0.18 (0.016)	0.41 (0.038)	0.65 (0.060)	0.88 (0.081)	1.12 (0.104)	1.35 (0.125)	1.58 (0.146)	1.82 (0.169)	1 Section
	24" (610)	0.32 (0.030)	0.73 (0.068)	1.17 (0.109)	1.58 (0.147)	2.02 (0.188)	2.43 (0.226)	2.85 (0.265)	3.28 (0.305)	
	36" (914)	0.60 (0.056)	1.39 (0.129)	2.21 (0.206)	3.00 (0.278)	3.82 (0.355)	4.61 (0.428)	5.39 (0.501)	6.22 (0.578)	
	48" (1219)	0.89 (0.082)	2.04 (0.190)	3.26 (0.303)	4.41 (0.410)	5.63 (0.523)	6.78 (0.630)	7.93 (0.737)	9.15 (0.850)	2 Sections High
	60" (1524)	1.17 (0.109)	2.69 (0.250)	4.30 (0.400)	5.83 (0.541)	7.43 (0.690)	8.96 (0.832)	10.48 (0.973)	12.09 (1.123)	
	72" (1829)	1.46 (0.135)	3.35 (0.311)	5.35 (0.497)	7.24 (0.673)	9.24 (0.858)	10.63 (0.988)	12.52 (1.16)	14.42 (1.34)	
	84" (2134)	1.74 (0.162)	4.00 (0.372)	6.39 (0.594)	8.65 (0.804)	11.04 (1.03)	12.71 (1.18)	14.97 (1.39)	17.23 (1.60)	
96" (2438)	2.03 (0.188)	4.66 (0.433)	7.43 (0.691)	10.07 (0.953)	12.48 (1.19)	14.78 (1.37)	17.42 (1.62)	20.05 (1.86)		
		1 Section				2 Sections Wide				